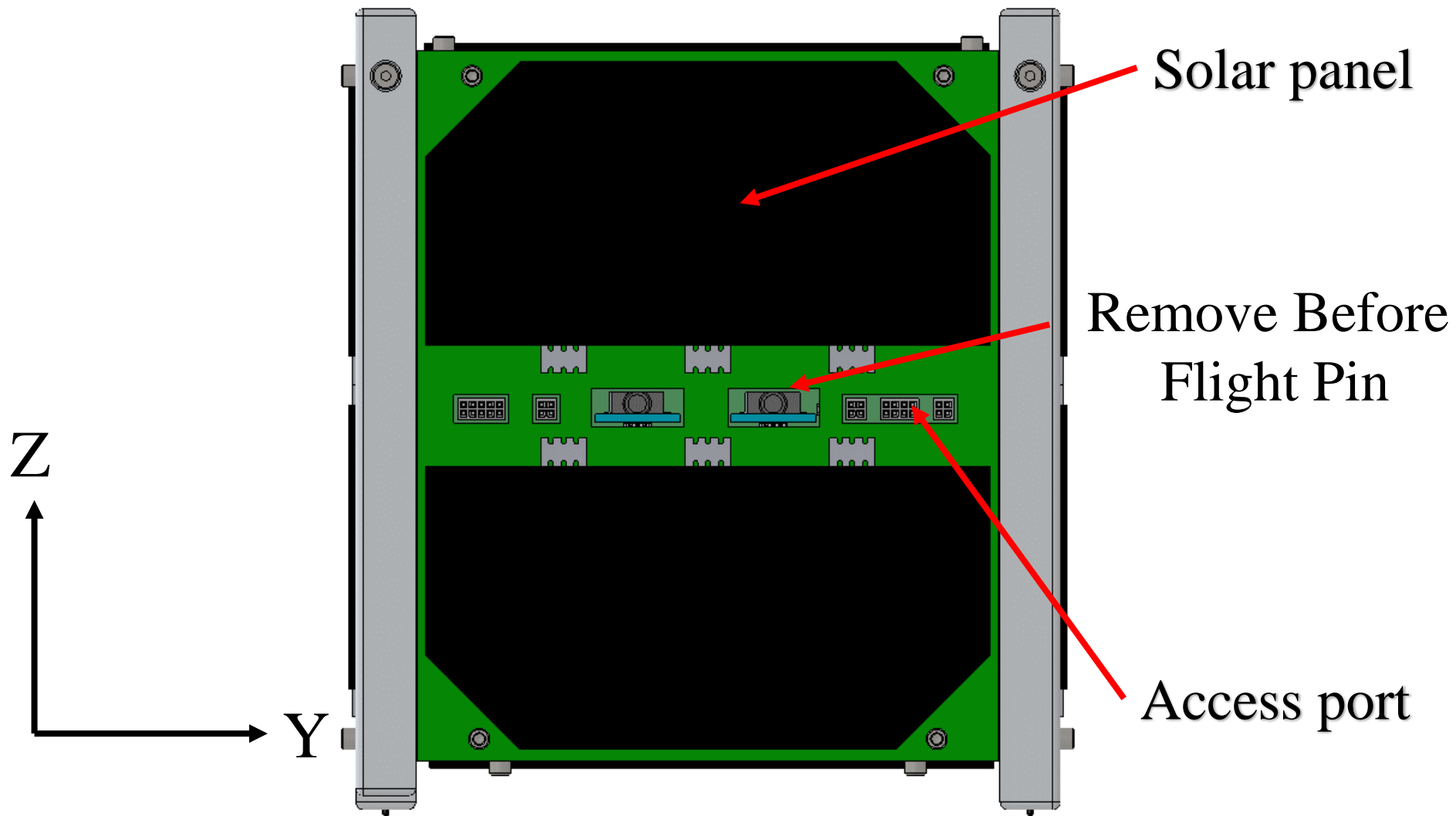


BIRDS3 CAD Drawings

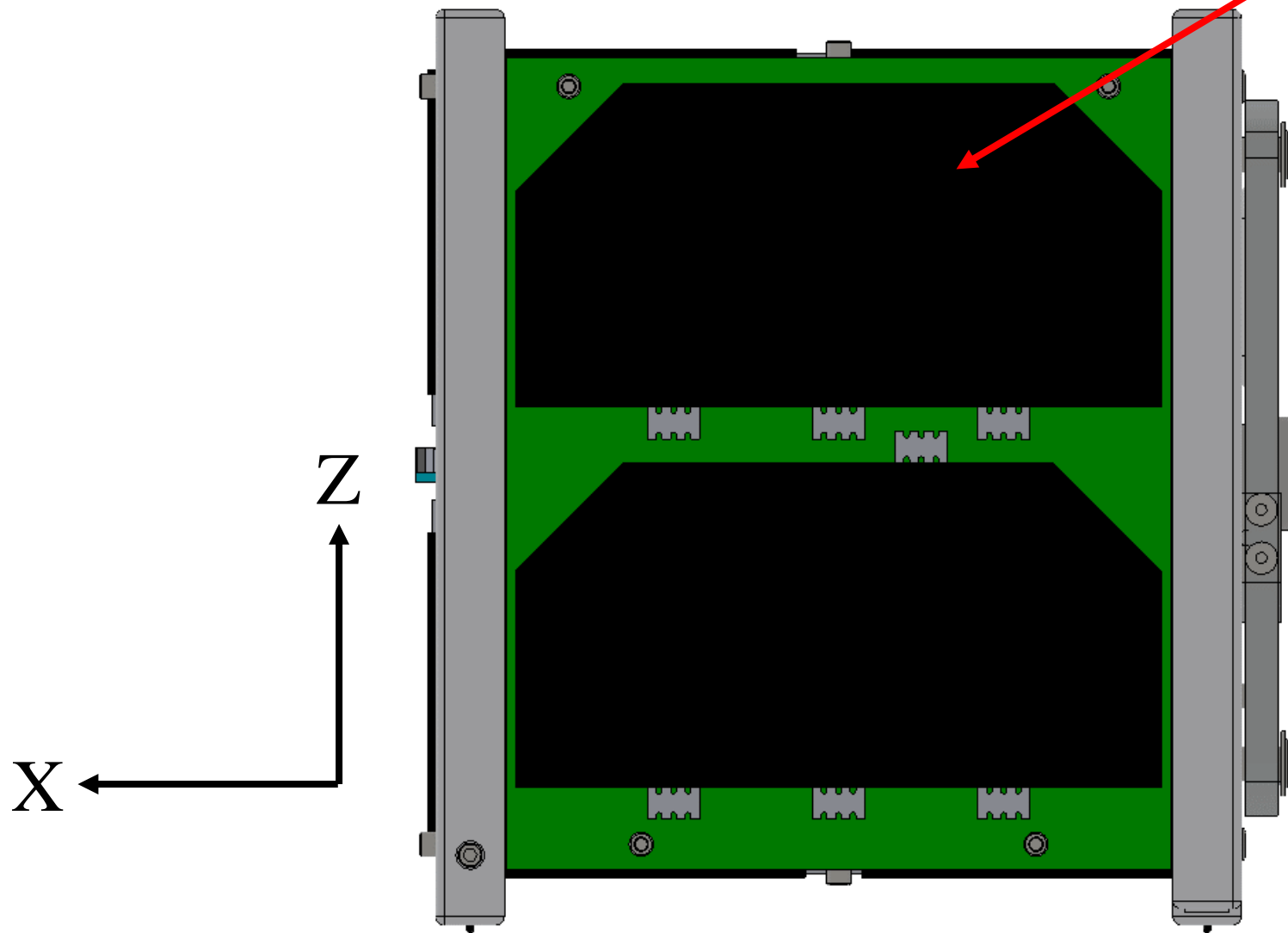
17 July, 2018

+X panel



+Y panel

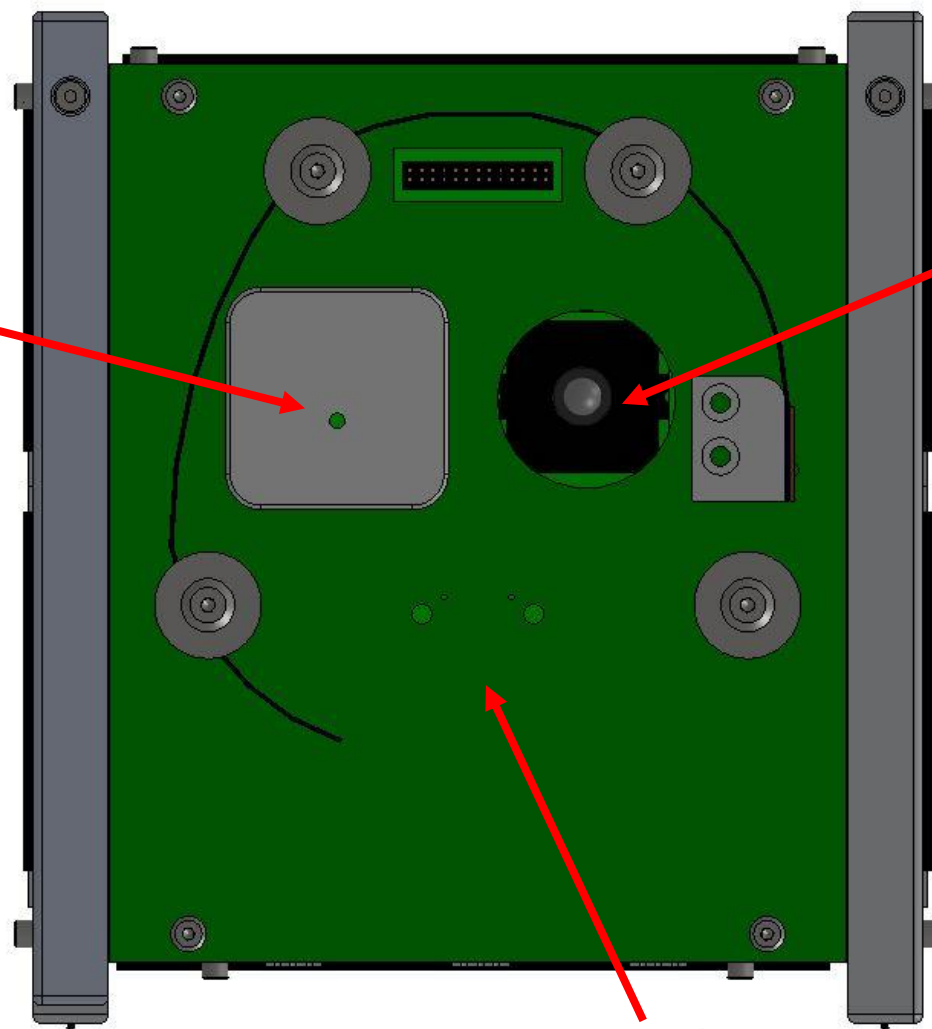
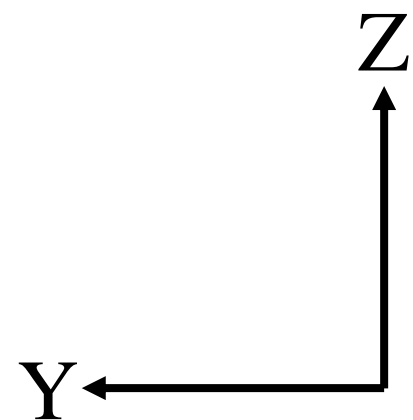
Solar panel



-X panel

GPS
Patch antenna

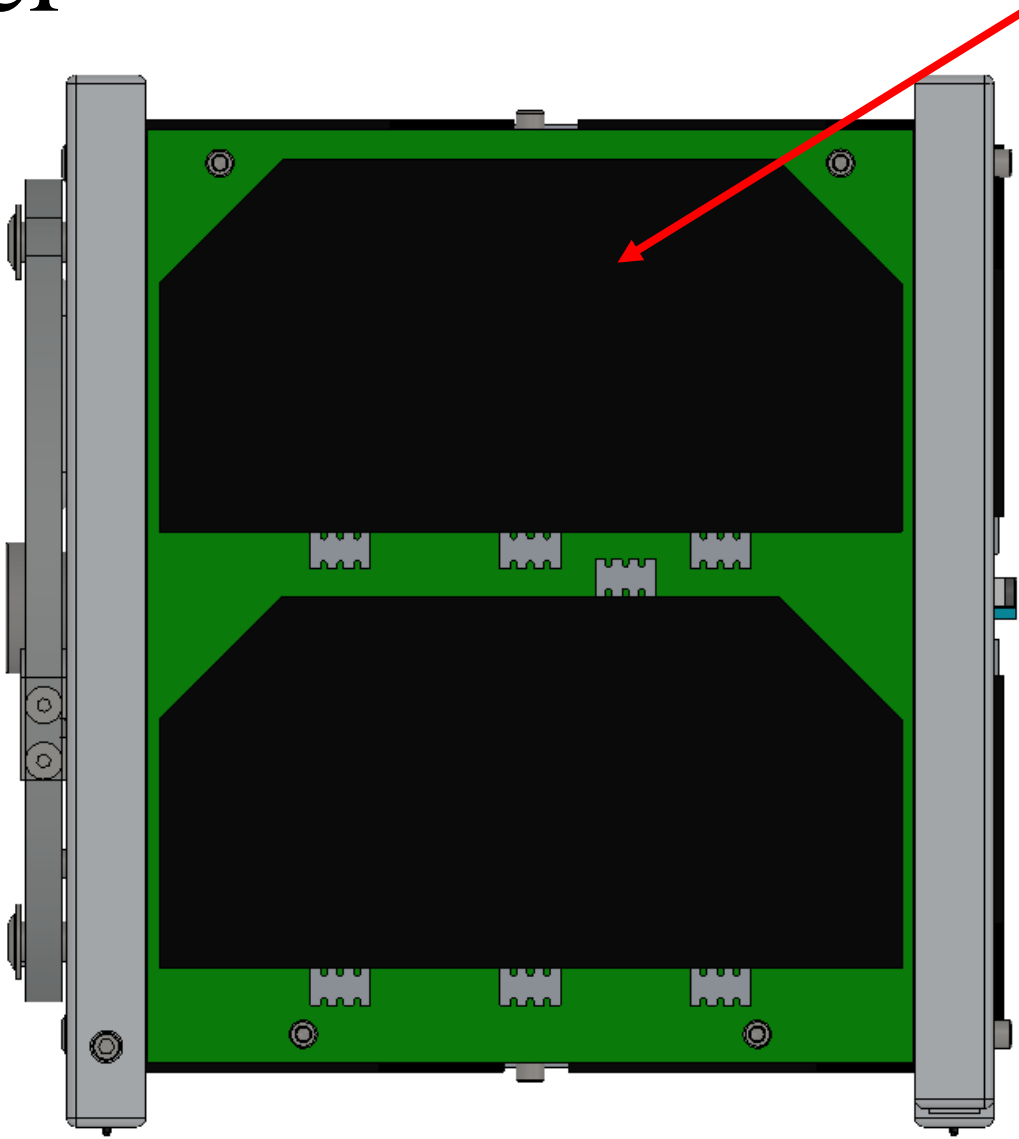
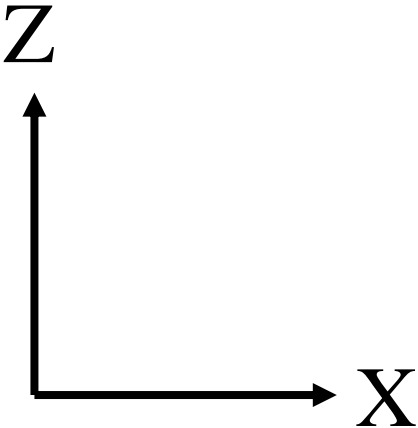
Camera



Deployment mechanism

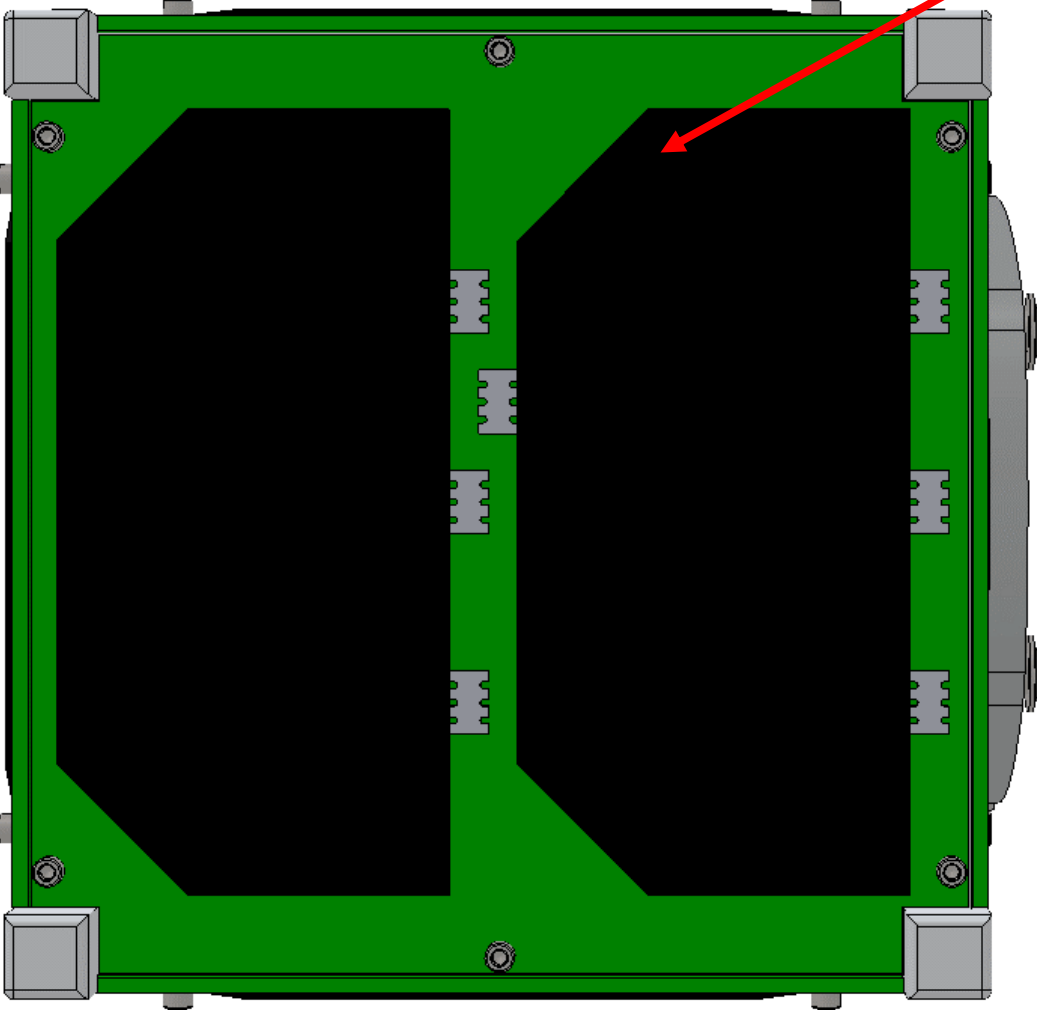
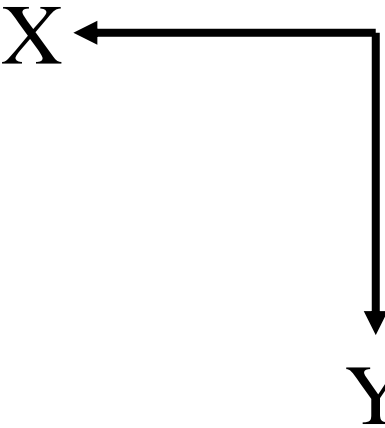
-Y panel

Solar panel



+Z panel

Solar panel



-Z panel

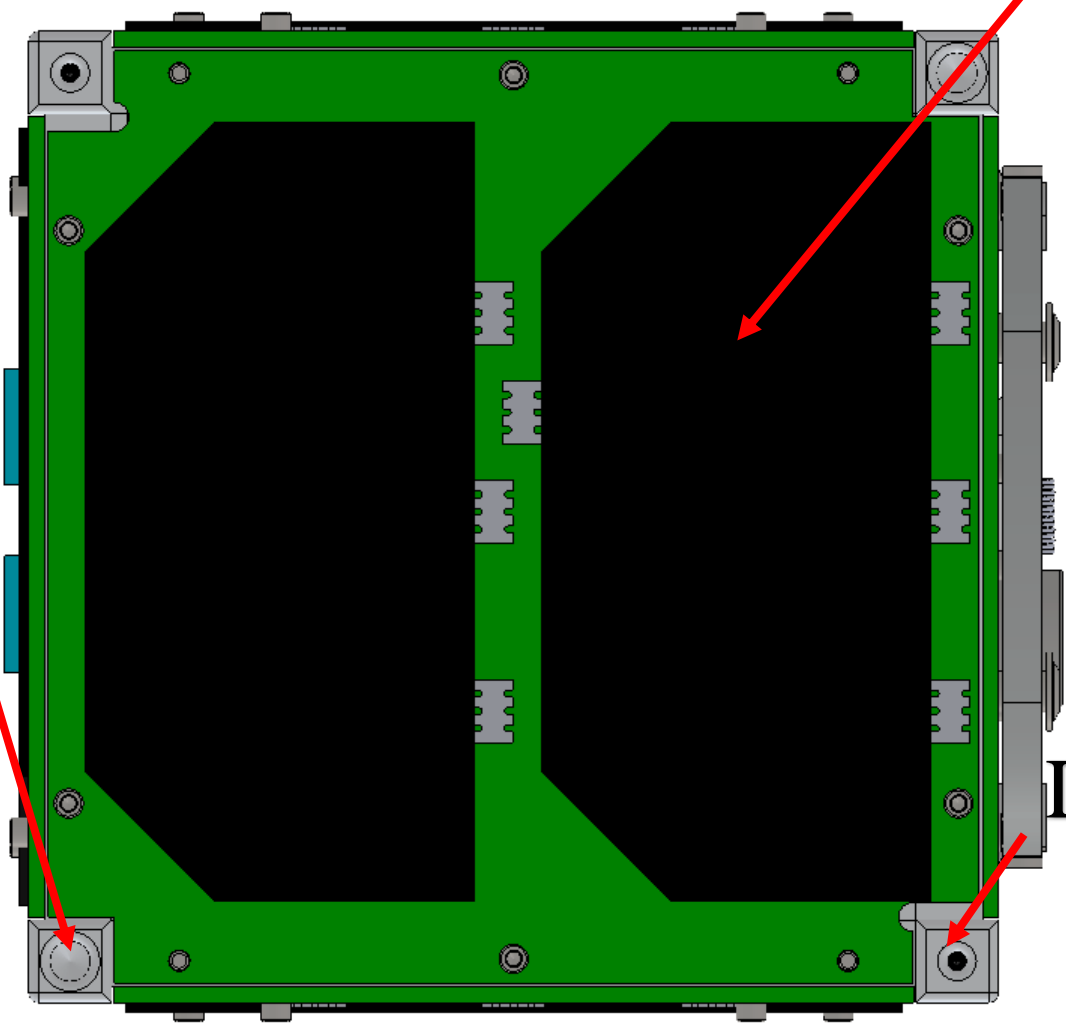
Solar panel

Separation
spring

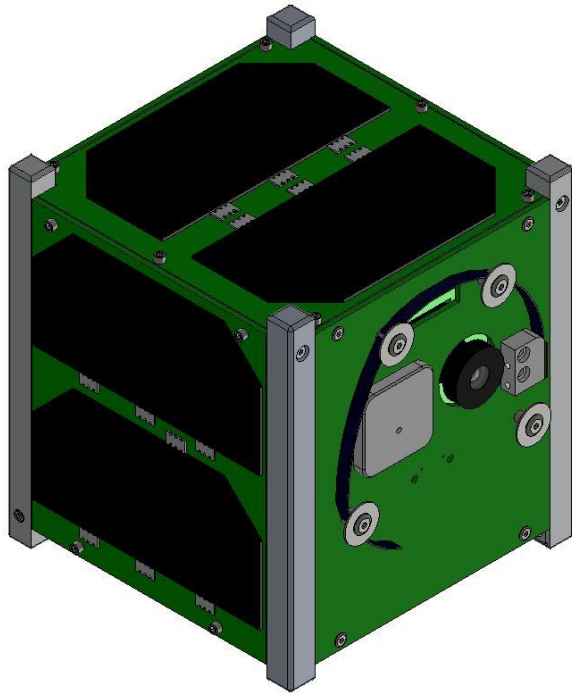
Y

X

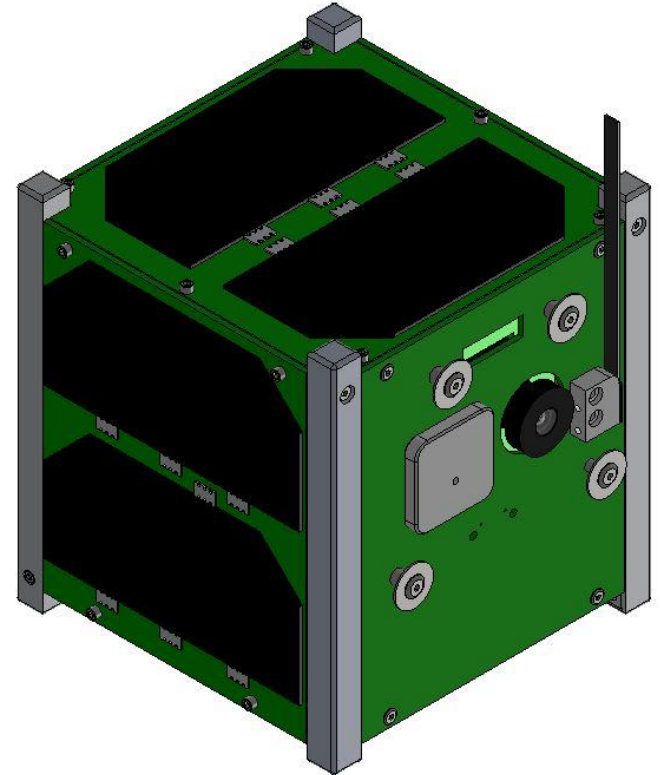
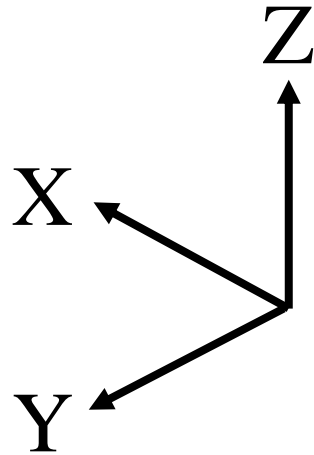
Deployment
switch



Antenna deployment



Before deployment



After deployment